

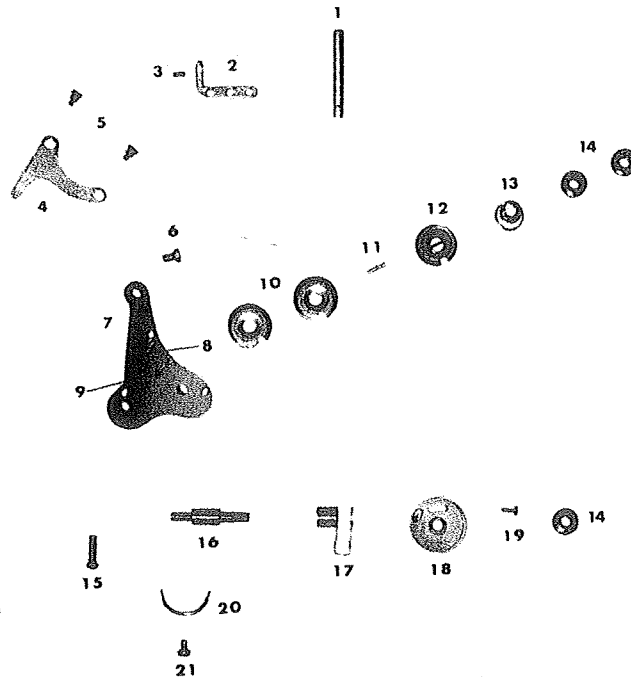


MODEL
228R-11
357R

PARTS BOOK

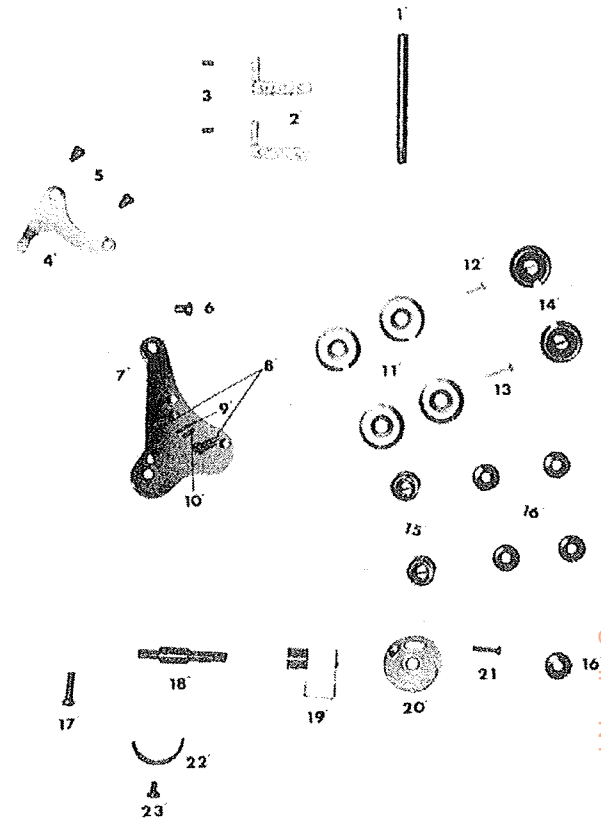
THREAD TENSION FOR SINGLE NEEDLE MACHINE

Ref. No	Part No	Quantity	Description
1	10709	1	Spool pin
2	10680	1	Thread regulator
3	10681	1	Screw for 10680
4	10678	1	Tension release lever
5	10679	2	Tension release lever screw
6	10561	1	Set screw for 10675
7	10675	1	Tension bracket
8	10789	1	Tension stud
9	10791	1	Tension bracket pin
10	10691	2	Tension disc
11	10793	1	Tension release plunger
12	10692	1	Tension release washer
13	10693	1	Tension release spring
14	10697	3	Tension thumb nut
15	10545	1	Screw for 10792
16	10792	1	Thread controller stud
17	10689	1	Thread controller spring
18	10694	1	Thread controller disc
19	10695	1	Screw for 10694
20	10690	1	Thread controller spring stop
21	10650	1	Screw for 10690



THREAD TENSION FOR DOUBLE NEEDLE MACHINE

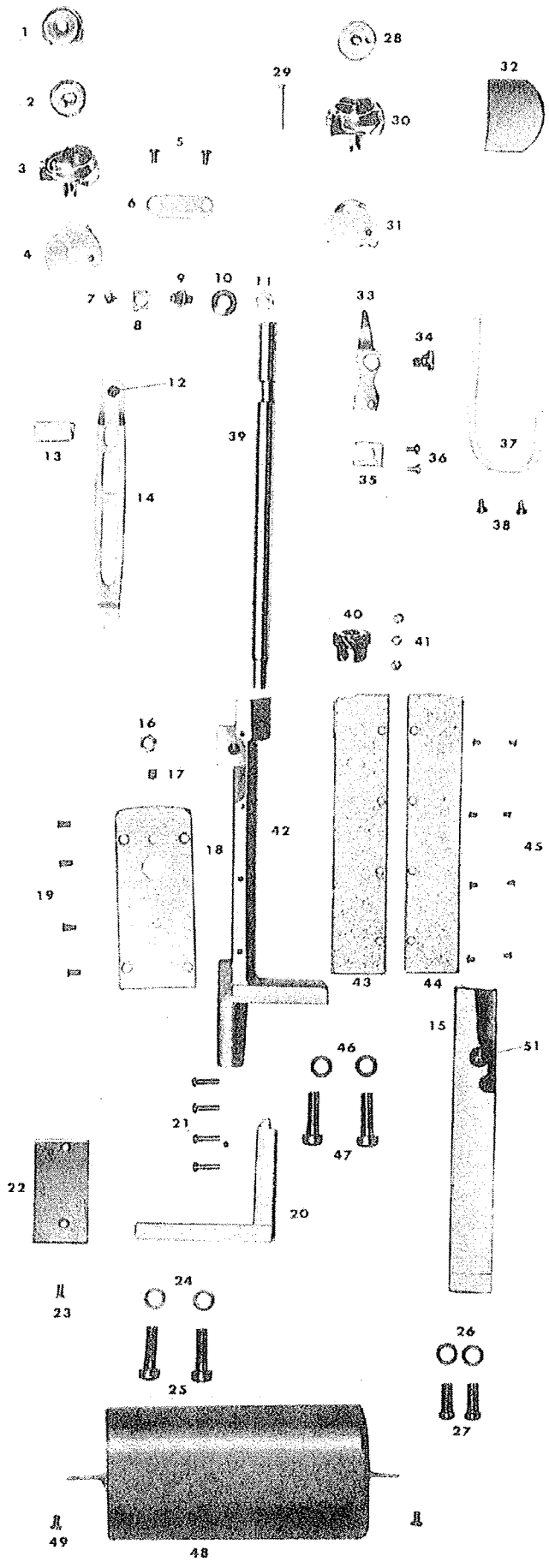
1'	10942	1	Spool pin
2'	10680	2	Thread retainer
3'	10681	2	Screw for 10680
4'	10678	1	Tension release lever
5'	10679	2	Tension release lever screw
6'	10545	1	Screw for 10956
7'	10956	1	Tension bracket
8'	10789	2	Tension stud
9'	10791	1	Tension bracket pin (short)
10'	10958	1	Tension bracket pin (long)
11'	10691	4	Tension disc
12'	10957	1	Tension release plunger (short)
13'	10952	1	Tension release plunger (long)
14'	10692	2	Tension release washer
15'	10693	2	Tension release spring
16'	10697	5	Tension thumb nut
17'	8060	1	Set screw for 10951
18'	10951	1	Tension controller stud
19'	10953	1	Thread controller spring
20'	10694	1	Thread controller disc
21'	10954	1	Screw for 10694
22'	10690	1	Thread controller spring stop
23'	10650	1	Screw for 10690



HOOK SADDLE FOR SINGLE NEEDLE MACHINE

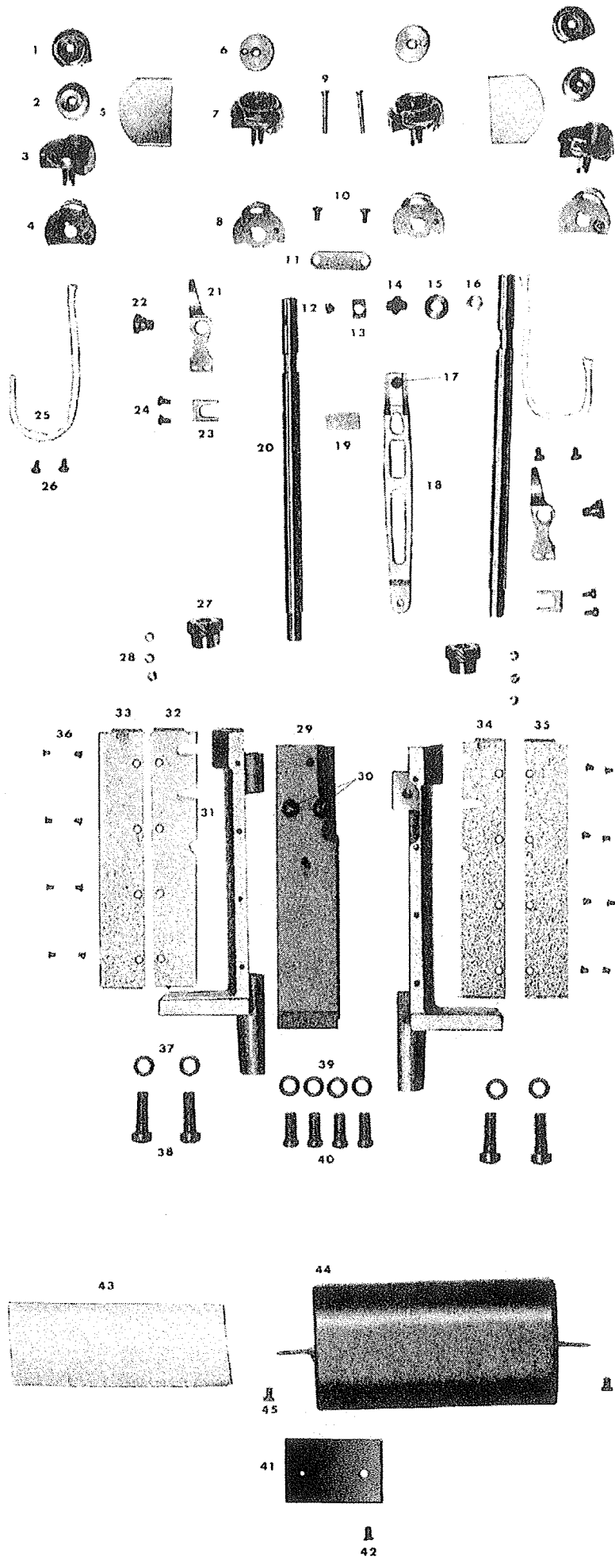
Ref. No	Part No	Qty	Description
1	12124	1	Bobbin case (for hook with cap)
2	12125	1	Bobbin (for hook with cap)
3	12109	1	Hook and bobbin case complete wit
4	12104	1	Hook washer
5	10561	2	Screw for 12056
6	12056	1	Feed dog lever retainer washer
7	6339	1	Screw for 12128
8	12128	1	Feed dog lever slide block
9	12129	1	Feed dog lever slide block hinge sc
10	10703	1	Washer for 12128
11	13076	1	Nut for 12128
12	10561	1	Feed dog set screw
13	12137	1	Oiling felt for 12127
14	12127	1	Feed dog lever
15	12119	1	Feed dog lever post
16	10517	1	Nut for 10517
17	10766	1	Feed lever adjusting screw
18	12121	1	Feed dog lever post cover (slide)
19	12122	4	Screw for 12121
20	12123	1	Feed dog lever post support
21	10545	4	Screw (small) for 12123
22	12132	1	Bed slide
23	6031	1	Screw for 12132
24	12136	2	Washer for 12110
25	12110	2	Screw (big) for 12123
26	12136	2	Washer for 12120
27	12120	2	Screw for 12119
28	10656	1	Bobbin
29	12105	1	Set screw for 12032
30	12032	1	Hook and bobbin case complete
31	12104	1	Hook washer
32	12107	1	Hook post slide
33	12114	1	Bobbin case opener
34	12115	1	Hinge screw for 12114
35	12116	1	Bobbin case opener driving block
36	10650	2	Screw for 12116
37	12139	1	Oiling wick for hook saddle
38	10650	2	Oil packing for 12139
39	12106	1	Hook socket
40	11134	1	Hook driving pinion (spiral)
41	10767	3	Screw for 11134
42	12108	1	Hook saddle
43	12111	1	Hook post cover plate (front)
44	12112	1	Hook post cover plate (back)
45	12113	8	Screw for 12111, 12112 (small)
46	12136	2	Washer for 12110
47	12110	2	Screw for 12108
48	12138	1	Bed oil guard
49	10561	2	Screw for 12138
50	12140	1	Oiling felt for 12138
51	10559	1	Screw for 12111, 12112 (big)





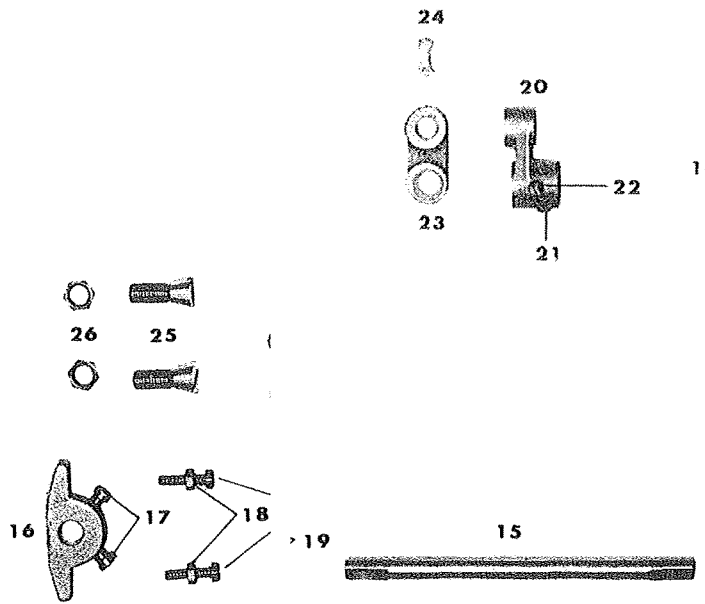
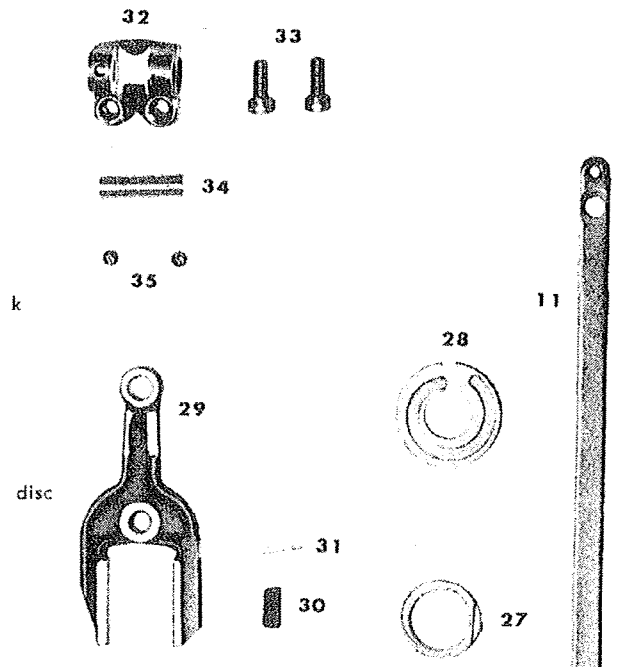
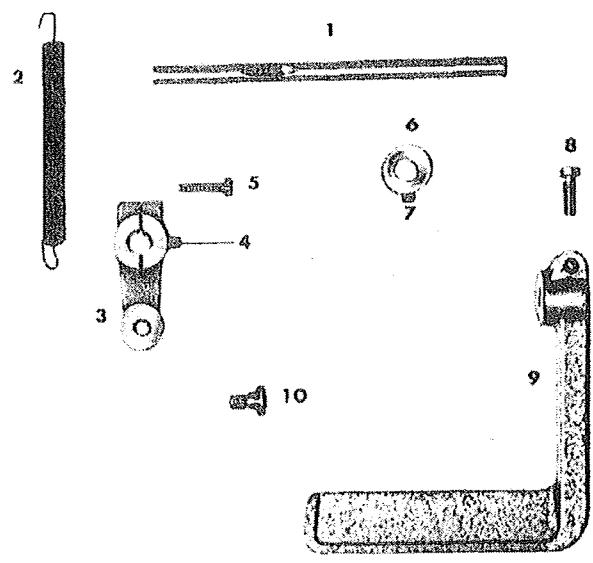
HOOK SADDLE FOR DOUBLE NEEDLE MACHINE

Ref. No	Part No	Qty	Description
1	12124	2	Bobbin case (for hook with cap)
2	12125	2	Bobbin (for hook with cap)
3	12109	2	Rotating hook with cap
4	12104	1	Hook washer
5	12107	2	Hook post slide
6	10656	2	Bobbin
7	12032	2	Rotating hook
8	12104	2	Hook washer
9	12105	2	Screw for 12104
10	10561	2	Screw for 12056
11	12056	1	Feed dog lever retainer washer
12	6339	1	Screw for 12128
13	12128	1	Feed dog lever slide block
14	12129	1	Screw for 12128
15	10703	1	Washer for 12128
16	13076	1	Nut for 12129
17	10561	1	Feed dog screw
18	12127	1	Feed dog lever
19	12137	1	Felt for 12127
20	12106	2	Hook socket
21	12114	2	Bobbin case opener
22	12115	2	Screw for 12114
23	12116	2	Bobbin case opener driving block
24	10650	4	Screw for 12116
25	12139	2	Oiling wick for hook saddle
26	10650	4	Screw for 12139
27	11134	2	Hook driving pinion (spiral)
28	10767	6	Screw for 11134
29	12055	1	Feed dog lever post
30	10559	2	Screw (big) for hook cover plate
31	12108	2	Hook saddle
32	12051	1	Hook post cover plate (left front)
33	12052	1	Hook post cover plate (left rear)
34	12053	1	Hook post cover plate (right front)
35	12054	1	Hook post cover plate (right rear)
36	12113	16	Screw for cover plate
37	12136	4	Washer for 12110
38	12110	4	Screw for 12108
39	12136	4	Washer for 12055
40	12120	4	Screw for 12055
41	12132	1	Bed slide
42	6031	1	Screw for 12132
43	12140	1	Felt for 12138
44	12138	1	Cover for 10638
45	10561	2	Screw for 12138



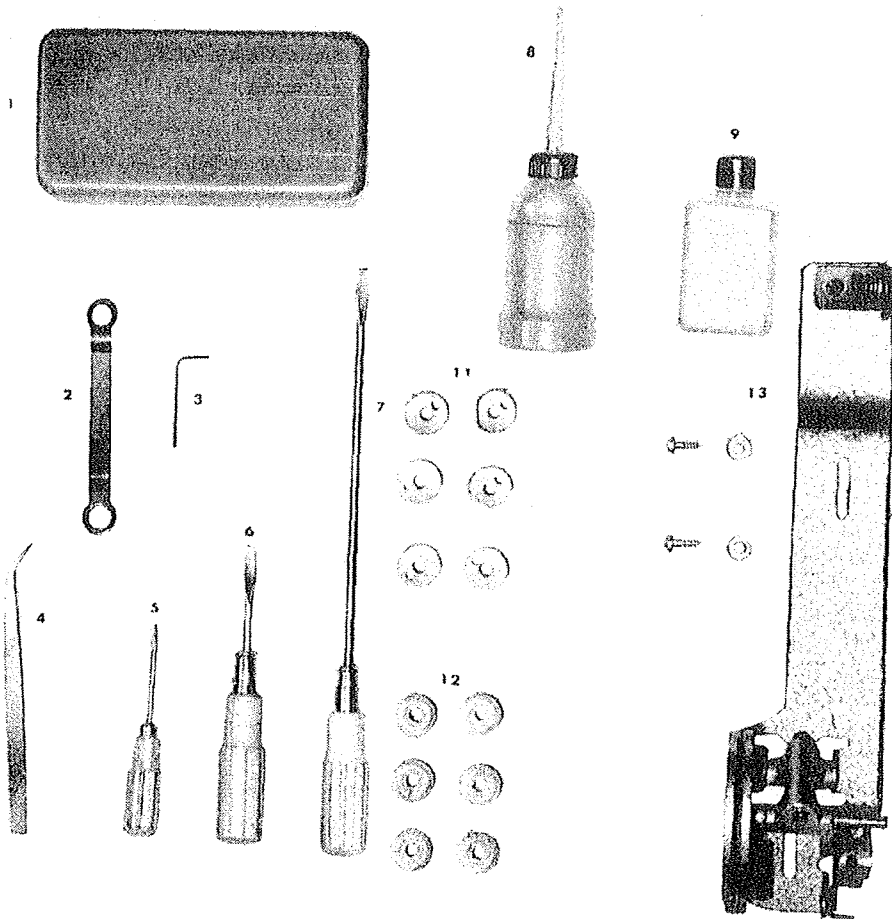
REVERSE STITCH MECHANISM

Ref. No	Part No	Qty	Description
1	10803	1	Fulcrum shaft
2	10806	1	Reverse lever return spring
3	10842	1	Fulcrum shaft bell crank
4	8007	1	Position screw for 10842
5	10812	1	Set screw for 10842
6	10802	1	Collar for 10803
7	8009	1	Screw for 10802
8	10845	1	Screw for 10844
9	10844	1	Reverse lever
10	10712	2	Screw for 12281
11	12281	1	Bell crank connecting rod
12	10843	1	Feed reverse shaft bell crank
13	10828	1	Screw (B) for 10843
14	10827	1	Screw (A) for 10843
15	10403	1	Feed reverse shaft
16	10811	1	Feed reverse shaft stop
17	10612	2	Screw for 10811
18	10813	2	Lock nut for 10812
19	10812	2	Adjusting screw for 10811
20	10838	1	Feed reverse shaft bell crank
21	10828	1	Screw (B) for 10838
22	10827	1	Screw (A) for 10838
23	10839	1	Feed reverse fork connecting link
24	10837	1	Felt for 10839
25	10755	2	Screw for 10839
26	3036	2	Nut for 10839
27	10819	1	Feed reverse fork collar
28	10909	1	Feed driving eccentric adjusting dis
29	10840	1	Feed reverse fork
30	10818	1	Felt for 10840
31	10829	1	Felt stop pin
32	10820	1	Feed rock shaft bell crank
33	10519	2	Set screw for 10820
34	10821	1	Feed reverse fork hinge pin
35	10828	2	Screw for 10821



ACCESSORIES

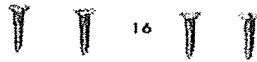
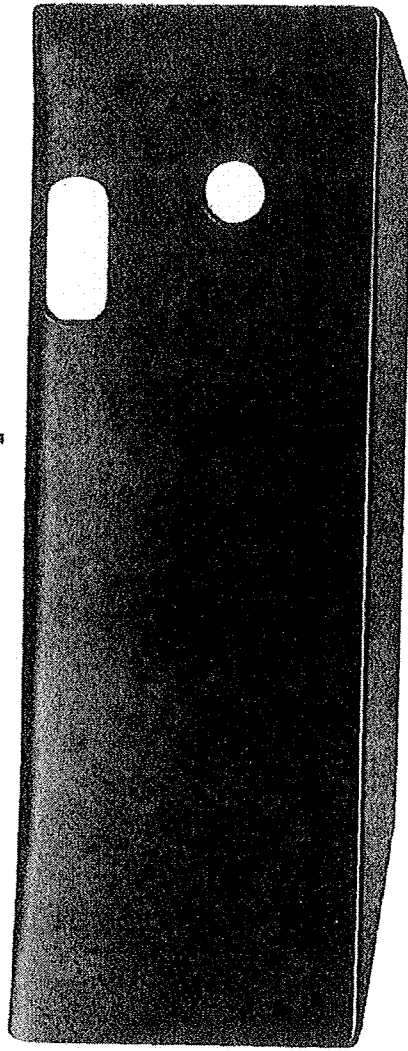
Ref. No	Part No	Qty	Description
1	8132	1	Accessories box
2	10748	1	Double headed wrench
3	10747	1	Wrench 1/16"
4	11196	1	Tweezers
5	8121	1	Screw driver (small)
6	8120	1	Screw driver (middle)
7	8118	1	Screw driver (big)
8	8125	1	Oiler
9	8123	1	Oil
10	8124	1	Machine cover
11	10656	6	Bobbin
12	12125	6	Bobbin (for hook with cap)
13	10734	1	Bobbin winder
14	10733	1	Drip pan
15	6055	4	Nail
16	6052	4	Screw
17	11171	2	Bed hinge connection base
18	11170	4	Bed hinge connection set screw
19	11169	2	Bed hinge connection



15



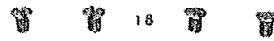
14



16



17



18



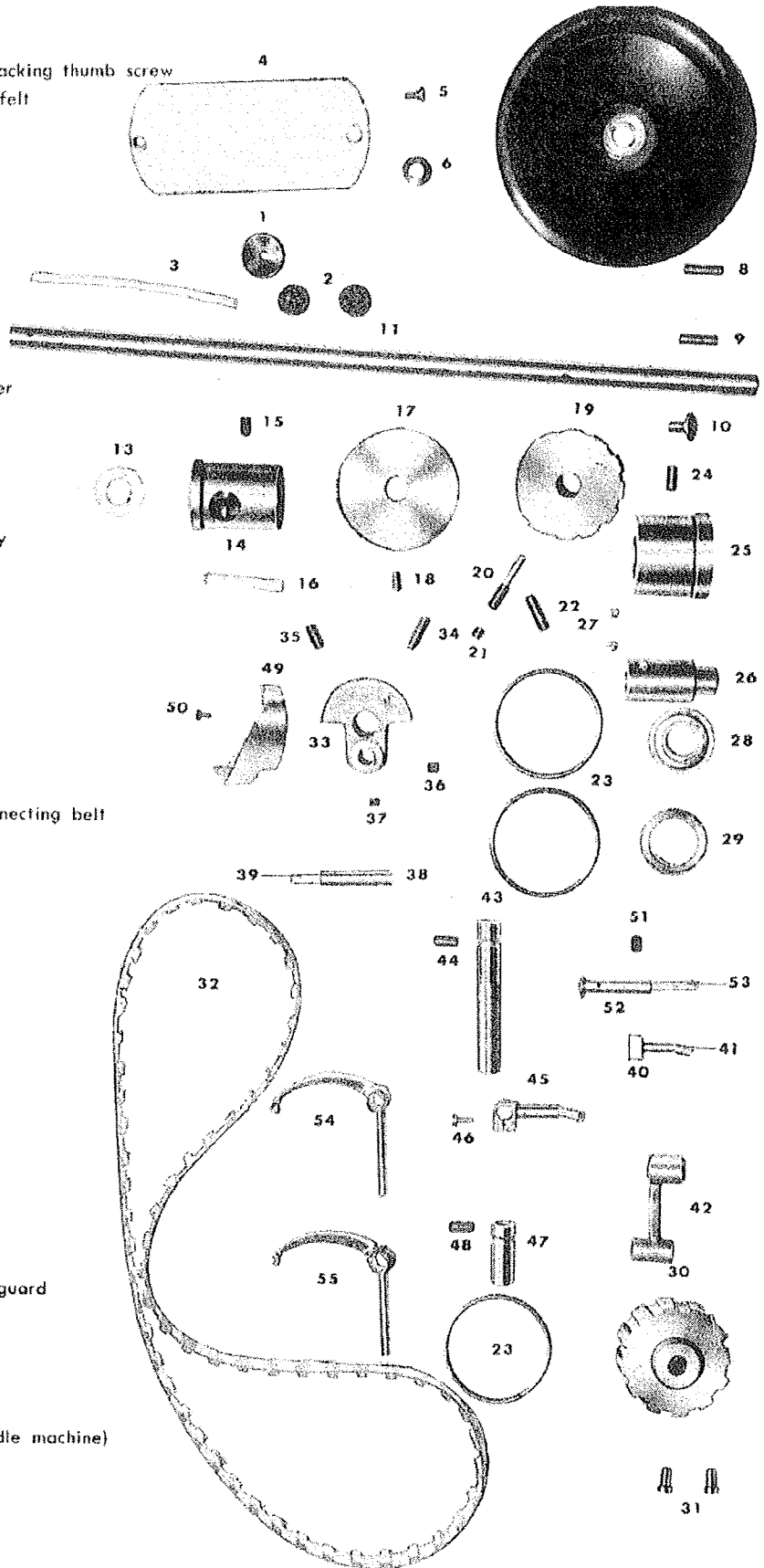
19

10



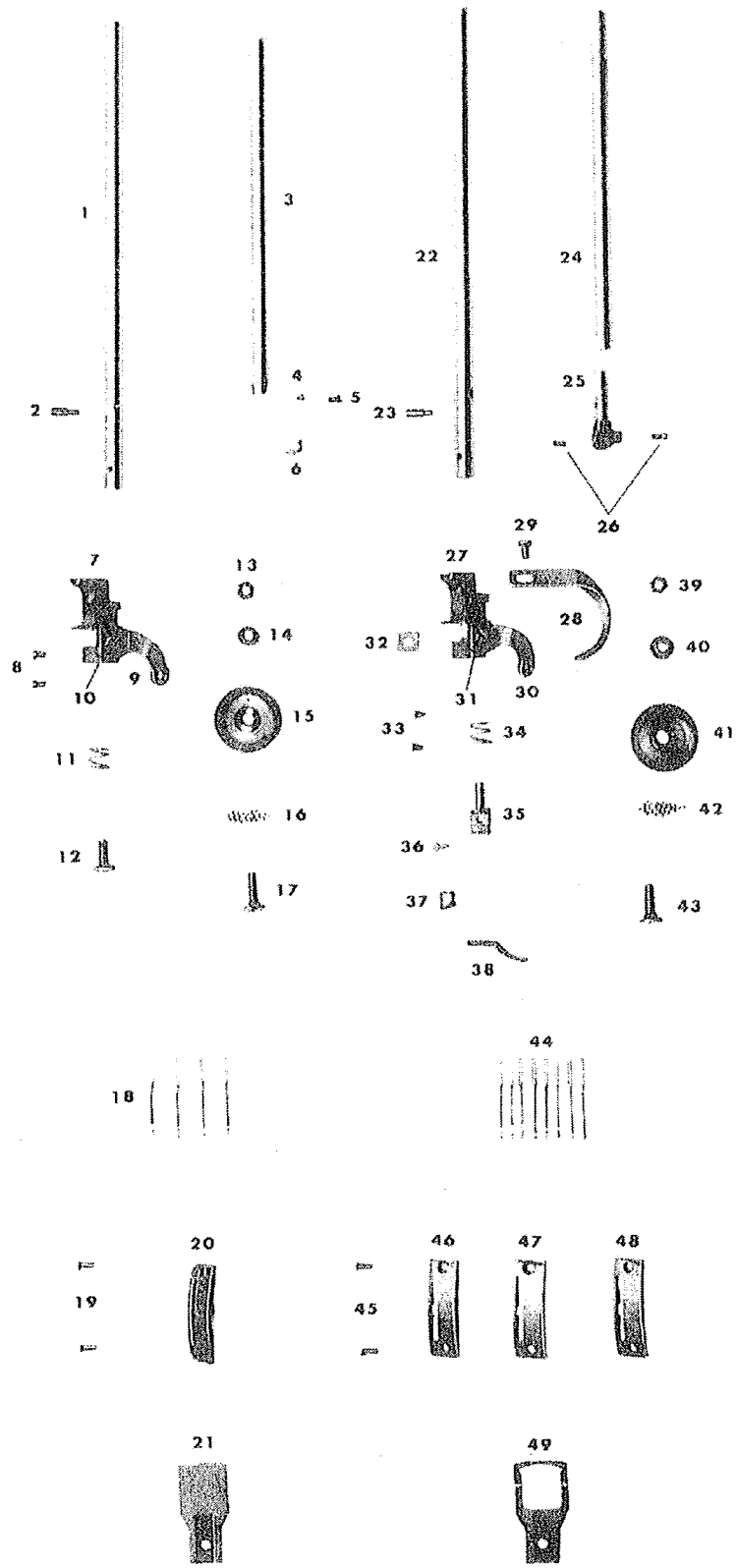
ARM SHAFT, THREAD TAKE UP LEVER FOR 228-11, 357R

Fig. No.	Parts No.	Quantity	Name
1	10701	1	Arm shaft bushing (front) oil packing thumb screw
2	10725	2	Arm shaft front bushing oiling felt
3	10724	1	Arm shaft oiling wick
4	10702	1	Arm cap
5	10704	1	Arm cap screw
6	10703	1	Arm cap screw washer
7	10575	1	Balance wheel
8	10579	1	Balance wheel set screw (B)
9	10576	1	Balance wheel set screw (A)
10	10577	1	Balance wheel adjusting screw
11	10507	1	Arm shaft
12	10506	1	Arm shaft oil packing
13	10563	1	Arm shaft bushing (front) washer
14	10562	1	Arm shaft bushing (front)
15	10522	1	Arm shaft bushing (front) screw
16	10729	1	Oiling wick for 10562
17	10908	1	Feed indicating disc
18	10573	1	Screw for 10908
19	10569	1	Arm shaft connecting belt pulley
20	10570	1	Position screw for 10569
21	10524	1	Set screw for 10570
22	10571	1	Set screw for 10569
23	10574	3	Spring flange for 10569
24	10522	1	Screw for 13074
25	13074	1	Arm shaft bushing
26	13075	1	Arm shaft bushing collar
27	10566	2	Screw for 13075
28	10567	1	Arm shaft ball bearing
29	10568	1	Ball bearing retaining washer
30	10941	1	Lower pulley for arm shaft connecting belt
31	10612	2	Screw for 10941
32	12133	1	Arm shaft connecting belt
33	10520	1	Needle bar crank
34	10521	1	Set screw (A) for 10520
35	10522	1	Set screw (B) for 10520
36	10524	1	Screw (A) for 10523
37	10764	1	Screw (B) for 10523
38	10523	1	Needle bar connecting link stud
39	10726	1	Oiling wick for 10523
40	10529	1	Take up lever driving stud
41	10728	1	Oiling wick for 10529
42	10528	1	Needle bar connecting link
43	12005	1	Needle bar bushing
44	10571	1	Needle bar bushing set screw
45	10856	1	Needle bar connecting stud
46	10532	1	Screw for 10856
47	10538	1	Presser bar bushing (lower)
48	10572	1	Screw for 10538
49	10551	1	Needle bar connecting link oil guard
50	10650	1	Screw for 10551
51	10525	1	Screw for 10527
52	10527	1	Take up lever hinged stud
53	10726	1	Oiling wick for 10527
54	10526	1	Thread take up lever
55	10905	1	Thread take up lever (two needle machine)



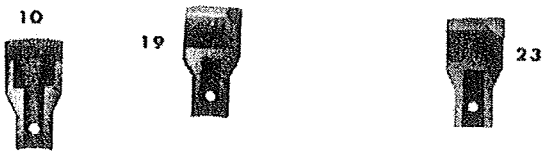
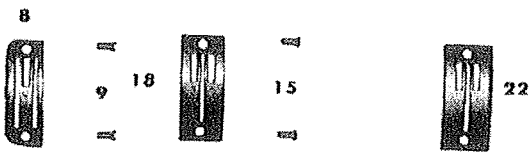
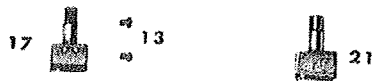
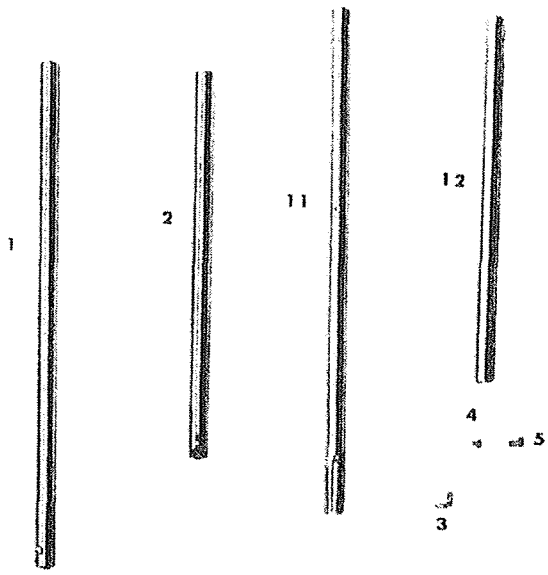
ROLLER PRESSER FOOT, GAUGE PARTS FOR 228R-11, 357R

Ref. No	Part No	Qty	Description
1	12432	1	Presser bar
2	12440	1	Hinge screw
3	10859	1	Needle bar
4	10534	1	Screw for 10860
5	10535	1	Needle set screw
6	10860	1	Needle bar thread guide
7	12433	1	Roller presser foot bracket
8	10535	2	Screw for 12441
9	12434	1	Roller holder
10	12435	1	Screw for 12434
11	12442	1	Spring for 12433
12	12441	1	Pin for 12432
13	10813	1	Nut for 12437
14	12439	1	Nut for 12438
15	12436	1	Roller
16	12438	24	Bearing ball 3/32"
17	12437	1	Set screw for 12436
18	12022	4	Needle
19	13023	2	Needle plate screw
20	12020	1	Needle plate (1 row)
21	12021	1	Feed dog (1 row)
22	12432	1	Presser bar
23	12440	1	Hinge screw
24	10992	1	Needle bar
25	12066	1	Needle clamp
26	10535	2	Needle set screw
27	12433	1	Roller presser foot bracket
28	12070	1	Roller presser needle guard (big)
29	10561	1	Set screw for 12070
30	12434	1	Roller holder
31	12435	1	Set screw for 12434
32	12068	1	Washer for 12434
33	10535	2	Screw for 12072
34	12442	1	Spring for 12433
35	12072	1	Roller presser needle guard (small)
36	3052	1	Screw for 12071
37	12073	1	Clamp screw washer for 12071
38	12071	1	Roller presser needle guard (small)
39	10813	1	Nut for 12437
40	12439	1	Nut for 12437
41	12436	1	Roller
42	12438	24	Bearing ball 3/32"
43	12437	1	Roller set screw
44	12022	8	Needle
45	13023	2	Needle plate set screw
46	12058	1	Needle plate 1/32" to 3/64"
47	12060	1	Needle plate 1/16"
	12061	1	Needle plate 5/64"
48	12062	1	Needle plate 3/32"
49	12057	1	Feed dog (1/32" to 1/16")
	12064	1	Feed dog (5/64" to 3/32")



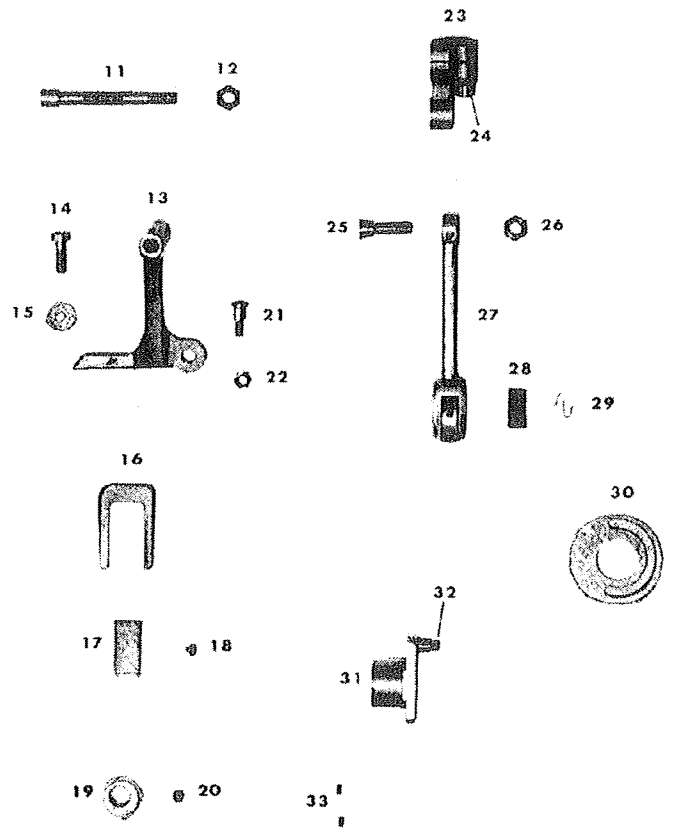
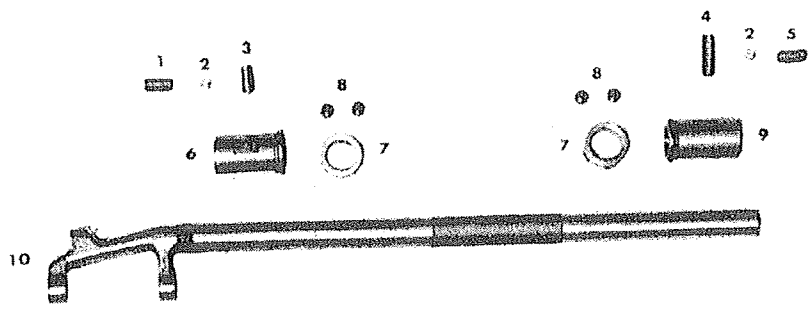
PRESSR FOOT, GAUGE PARTS FOR 228-11, 357R

Ref No	Part No	Qty	Description
1	10540	1	Presser bar
2	10859	1	Needle bar
3	10860	1	Needle bar thread guide
4	10534	1	Needle bar thread guide screw
5	10535	1	Needle set screw
6	12004	1	Presser foot
7	11194	4	Needle
8	12003	1	Needle plate
9	13023	2	Needle plate set screw
10	12006	1	Feed dog
11	10540	1	Presser bar
12	10992	1	Needle bar
13	10535	2	Needle set screw
14	11194		Needle
15	13023	2	Needle plate screw
	10310	1	Presser foot 1/16"
	12066	1	Needle clamp 1/16"
	10350	1	Needle plate 1/16"
	10380	1	Feed dog 1/16"
	10311	1	Presser foot 3/32"
	12066	1	Needle clamp 3/32"
	10351	1	Needle plate 3/32"
	10381	1	Feed dog 3/32"
	10312	1	Presser bar 1/8"
	10102	1	Needle clamp 1/8"
	10352	1	Needle plate 1/8"
	10382	1	Feed dog 1/8"
16	10313	1	Presser foot 3/16"
17	10103	1	Needle clamp 3/16"
18	10353	1	Needle plate 3/16"
19	10383	1	Feed dog 3/16"
	10314	1	Presser foot 7/32"
	10104	1	Needle clamp 7/32"
	10354	1	Needle plate 7/32"
	10384	1	Feed dog 7/32"
20	10315	1	Presser foot 1/4"
21	10105	1	Needle clamp 1/4"
22	10355	1	Needle plate 1/4"
23	10385	1	Feed dog 1/4"
	10316	1	Presser foot 5/16"
	10106	1	Needle clamp 5/16"
	10356	1	Needle plate 5/16"
	10386	1	Feed dog 5/16"
	10317	1	Presser foot 3/8"
	10107	1	Needle clamp 3/8"
	10357	1	Needle plate 3/8"
	10387	1	Feed dog 3/8"
	10318	1	Presser foot 7/16"
	10108	1	Needle clamp 7/16"
	10358	1	Needle plate 7/16"
	10388	1	Feed dog 7/16"
	10319	1	Presser foot 1/2"
	10109	1	Needle clamp 1/2"
	10359	1	Needle plate 1/2"
	10389	1	Feed dog 1/2"



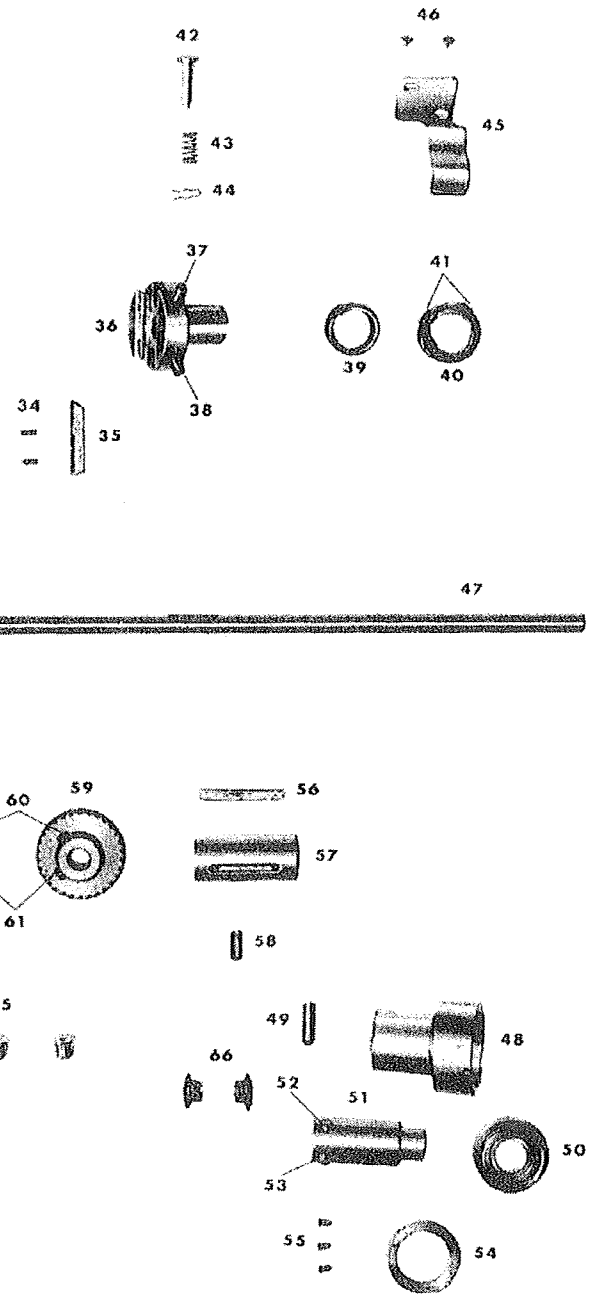
LOWER SHAFT, FEED DRIVING ROCK SHAFT FOR 228-11, 357

Ref No	Part No	Qty	Description
1	10522	1	Screw for 10588 (two needle machine)
2	11068	2	Liner for 10588
3	10761	1	Screw for 10588
4	10571	1	Screw for 10588
5	10525	1	Screw for 10588 (One needle machine)
6	10588	1	Feed driving rock shaft bushing
7	10593	2	Feed driving rock shaft stop collar
8	10764	4	Set screw for 10593
9	10763	1	Feed driving rock shaft rear bushing
10	10587	1	Feed driving rock shaft
11	10602	1	Feed bar hinge screw
12	10636	1	Feed bar hinge screw nut
13	12130	1	Feed bar
14	10598	1	Feed lifting cam fork screw
15	10599	1	Feed lifting cam fork washer
16	10595	1	Feed lifting cam fork
17	10596	1	Felt for 10595
18	10597	1	Stop screw for 10596
19	12011	1	Feed lifting cam
20	10658	1	Screw for 12011
21	12131	1	Feed bar hinge screw
22	50103	1	Feed bar hinge screw washer
23	10590	1	Feed bar rock frame rock shaft crank
24	10519	1	Set screw for 10590
25	10635	1	Feed driving connecting hinge screw
26	10636	1	Nut for 10635
27	10633	1	Feed driving connection
28	10722	1	Felt for 10633
29	10723	1	Stopper for 10722
30	10909	1	Feed driving eccentric adjusting disc
31	10632	1	Feed driving eccentric
32	10634	1	Pin for 10632
33	10630	2	Feed driving friction gib set



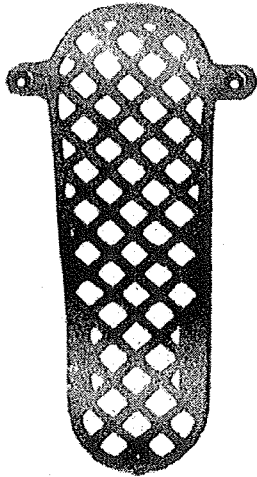
LOWER SHAFT, FEED DRIVING ROCK SHAFT

Ref No	Part No	Qty	Description
34	10629	2	Set screw for 10631
35	10631	1	Feed driving eccentric friction gib
36	10627	1	Feed driving flange
37	10628	1	Feed driving flange set screw (A)
38	10765	1	Feed driving flange set screw (B)
39	10625	1	Feed driving eccentric adjusting disc spring
40	10623	1	Feed driving eccentric adjusting disc spring presser collar
41	10566	2	Set screw for 10623
42	10671	1	Feed regulating stud (large)
43	10673	1	Feed regulating stud spring
44	10674	1	Feed regulating stud spring clip
45	10822	1	Timing plate
46	10597	2	Set screw for 10822
47	12134	1	Lower shaft
48	10606	1	Lower shaft bushing (back)
49	10571	1	Set screw for 10606
50	10567	1	Lower shaft bearing
51	10607	1	Lower shaft bearing collar
52	10658	1	Set screw for 10607 (A)
53	10566	1	Set screw for 10607 (B)
54	10608	1	Lower shaft ball bearing retaining washer
55	10609	3	Screw for 10608
56	10729	1	Oiling wick for 12135
57	12135	1	Lower shaft bushing (middle)
58	10522	1	Screw for 12135
59	10638	1	Hook driving gear (spiral)
60	10639	1	Screw for 10638 (A)
61	10766	1	Screw for 10638 (B)
62	11080	1	Felt for 10782
63	10782	1	Lower shaft bushing (front)
64	10571	1	Screw for 10782
65	10794	1	Oil cup 3/8"
66	10959	2	Rubber packing

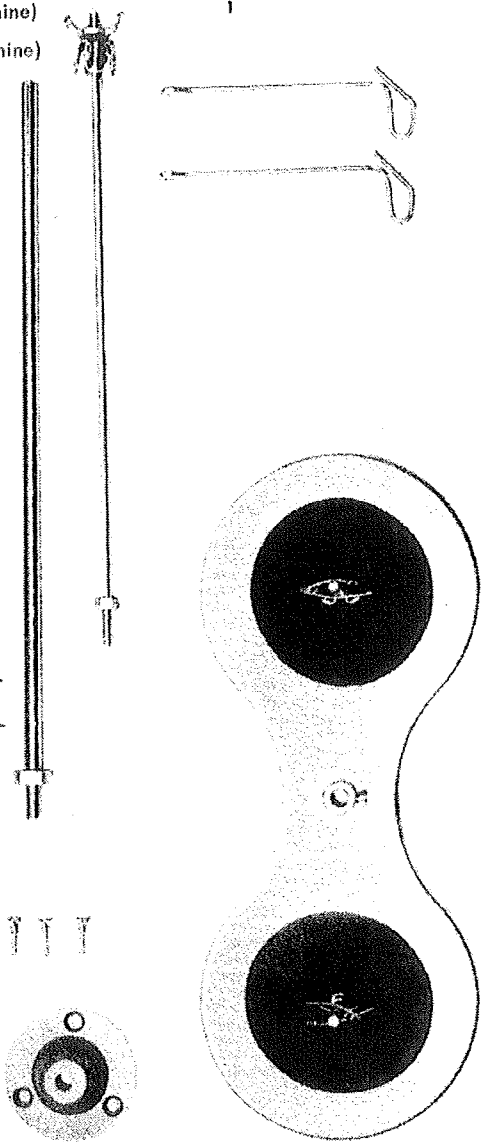
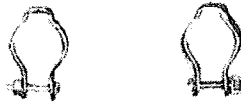


ACCESSORIES (Pedal type)

Ref No	Part No	Qty	Description
1	10780	1	Cotton stand (for one needle machine)
2	11197	1	Cotton stand (for two needle machine)
3	13094	1	Pedal set

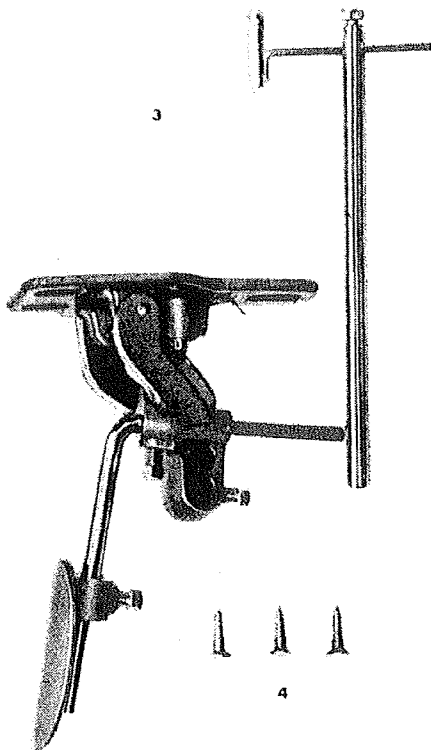


3



ACCESSORIES (Knee lifter type)

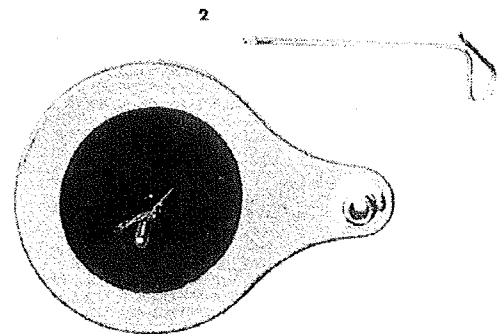
Fig. No.	Parts No.	Quantity	Name
1	10780	1	Cotton stand (one needle machine)
2	11197	1	Cotton stand (two needle machine)
3	10735	1	Knee lifter
4	6052	3	Nail



3



4



2

Consolidated Sewing Machine Corp.
Website: www.consew.com

MAIN office

131 W. 25th Street
New York, NY 10001
Tel: 212-741-7788
Fax: 212-741-7787
e-mail: consew@att.net

Miami, FL

4013 N.W. 79th Avenue
Miami, FL 33166
Tel: 305-471-0200
Fax: 305-471-0243
e-mail: miamisales@consew.com

Los Angeles, CA

2320 South Hill Street
Los Angeles, CA 90007
Tel: 213-745-8844
Fax: 213-745-8855
e-mail: lasales@consew.com